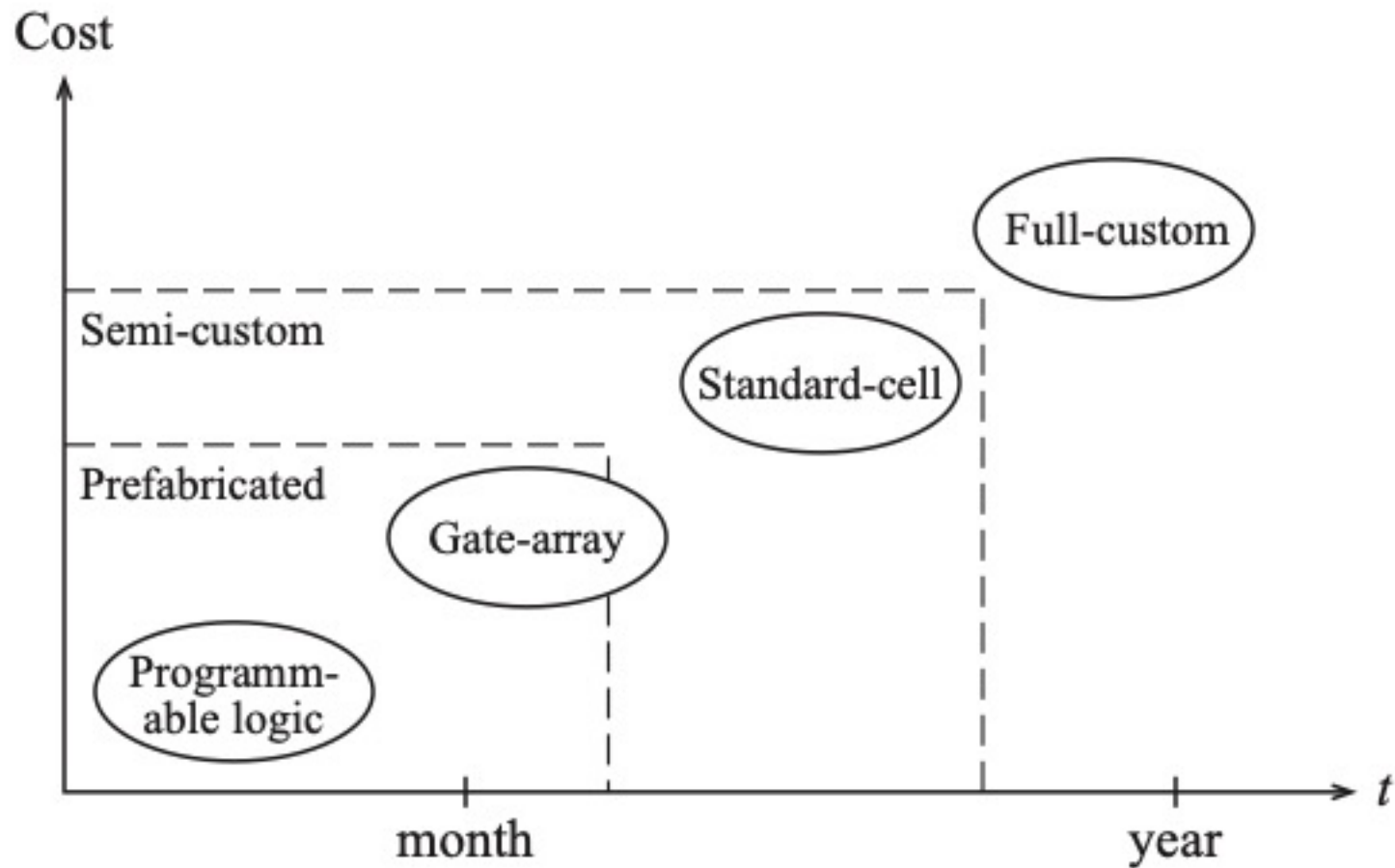


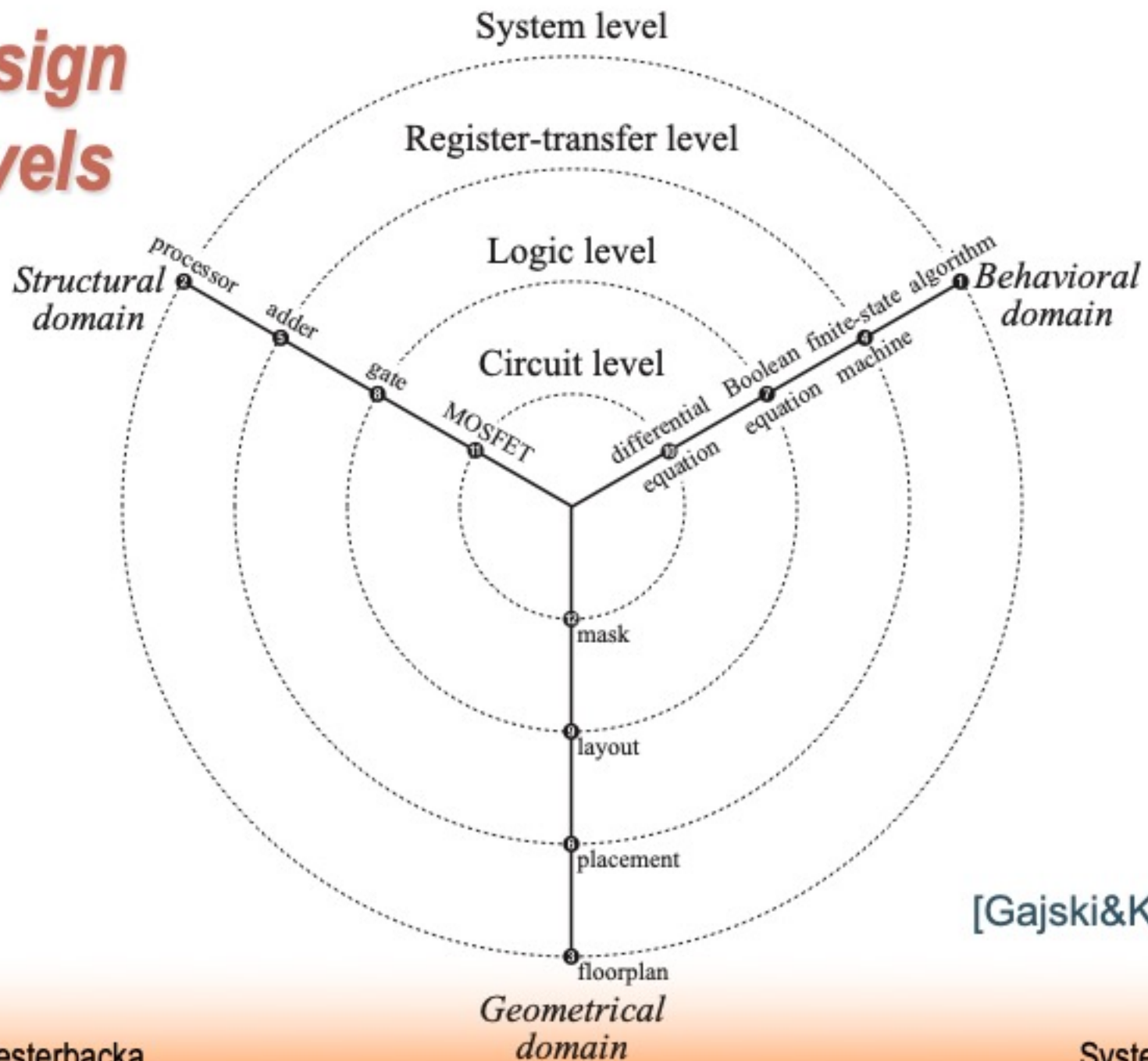
Digital ICs — Lectures

1) Introduction [Ch. 1]	TSEI03/TSTE86
2) Devices [Ch. 3, 4]	TSEI03/TSTE86
3) Interconnect [Ch. 4, 9]	TSTE86
4) Circuits [Ch. 5]	TSEI03/TSTE86
5) Combinational logic [Ch. 6]	TSEI03/TSTE86
6) Sequential circuits [Ch. 7]	TSEI03/TSTE86
7) Synchronization [Ch. 10]	TSTE86
8) Adders [Ch. 11]	TSEI03/TSTE86
9) Multipliers [Ch. 11]	TSTE86
10) Memory [Ch. 12]	TSEI03/TSTE86
11) Manufacturing [Ch. 2]	TSTE86
12) System design [Ch. 8]	TSTE86

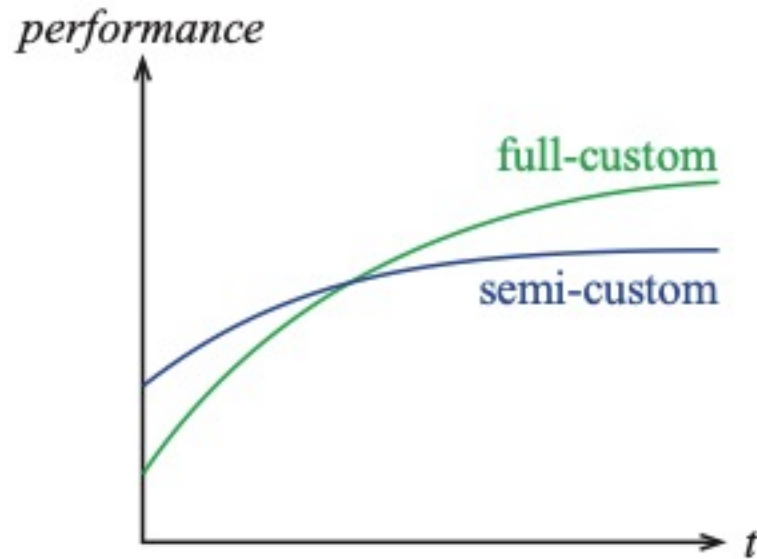
Implementation Approach



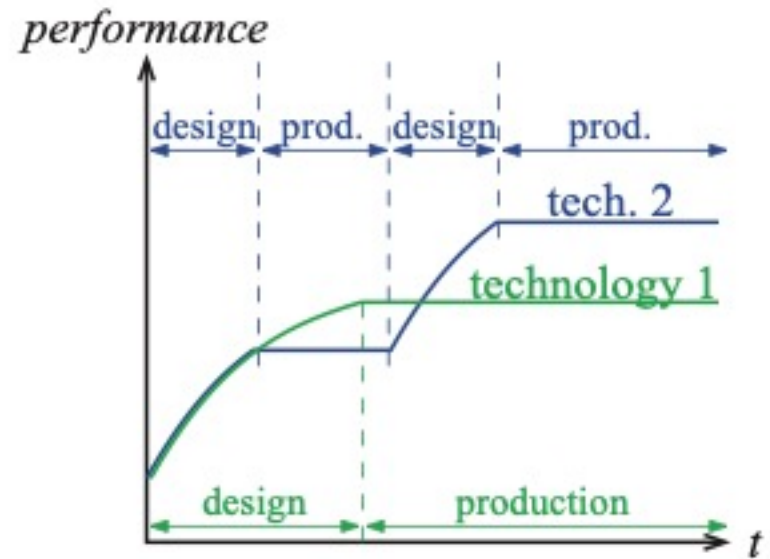
Design Levels



Circuit Development

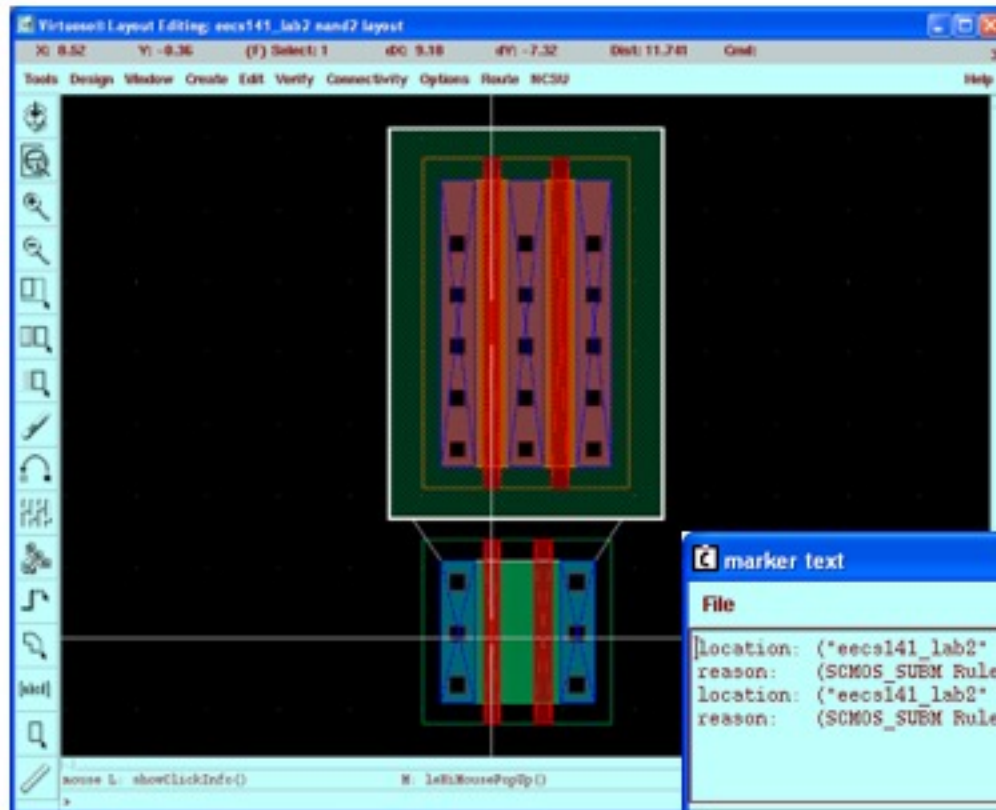


Design approach



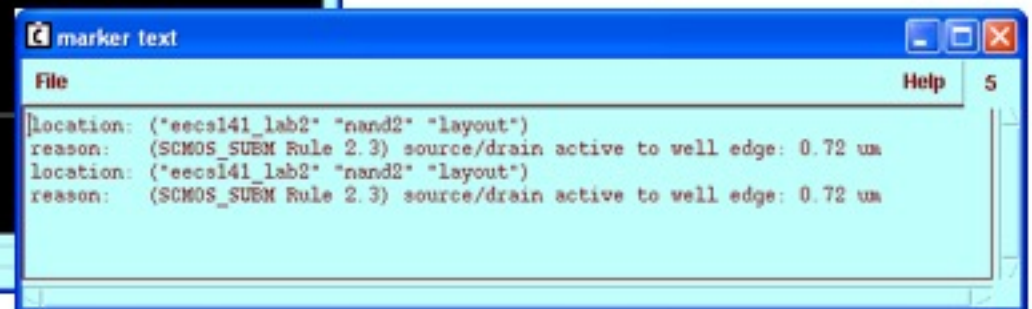
Technology use

Full-Custom Design

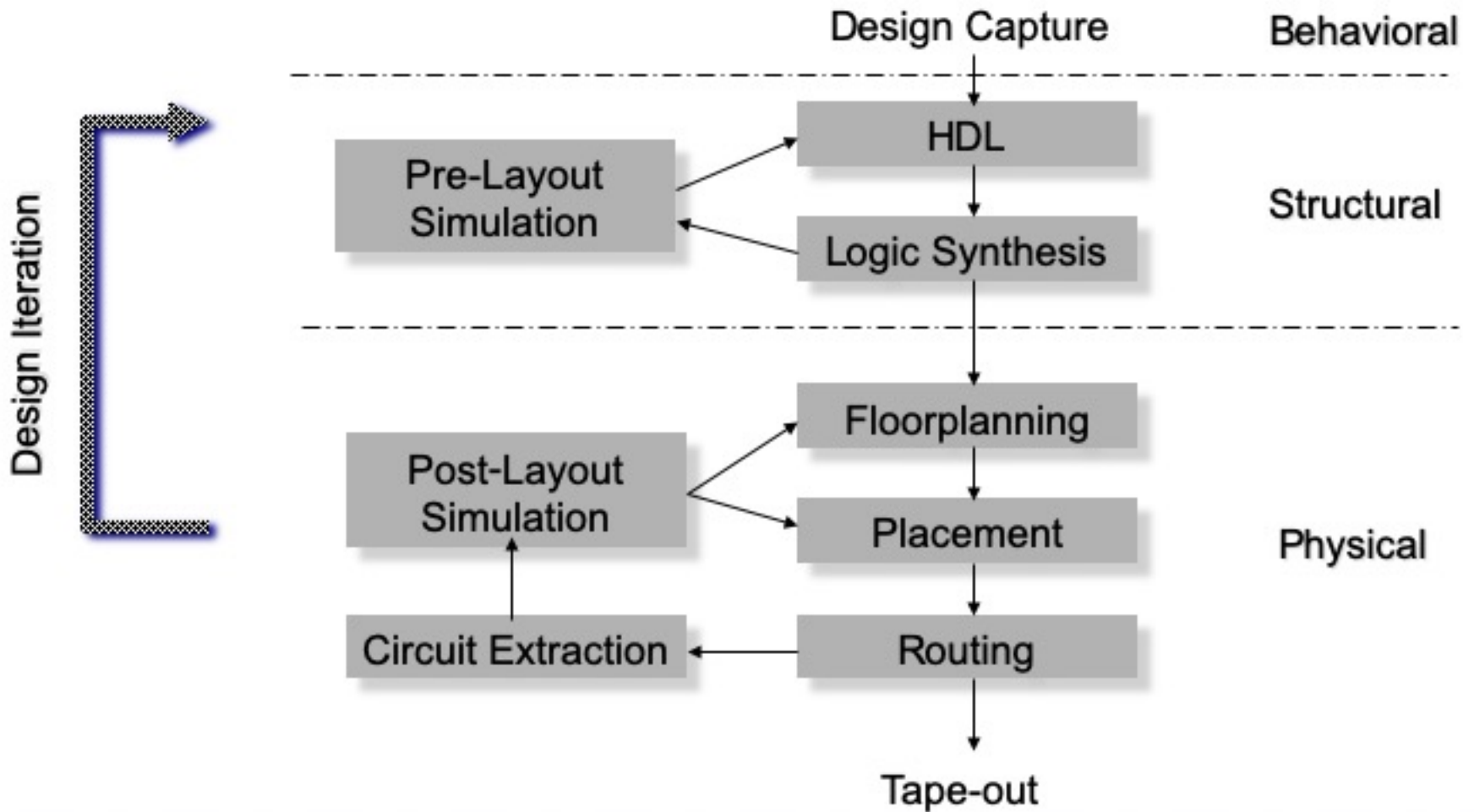


Hand-crafted design

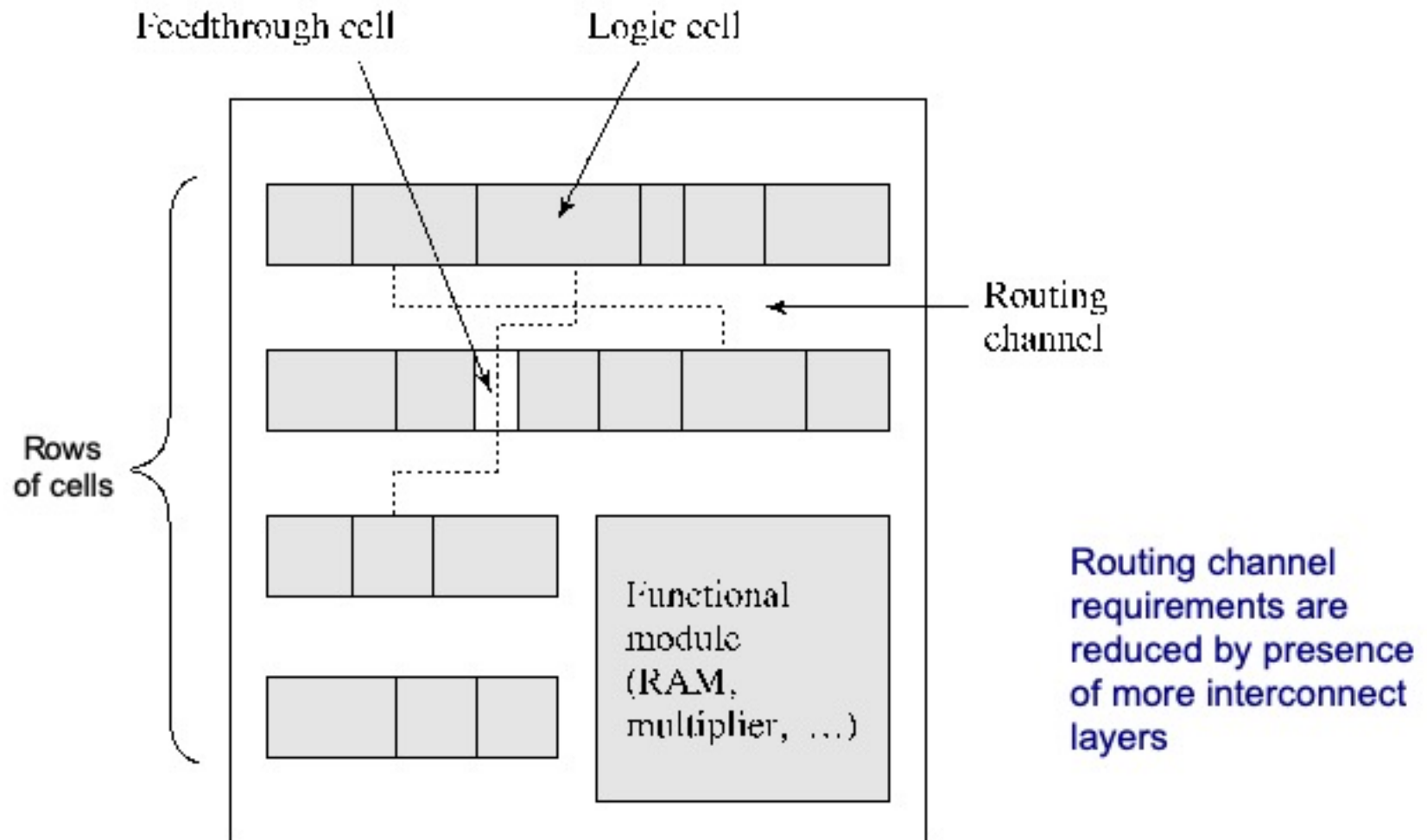
- Layout
- DRC
- Circuit extraction
- Placement
- Routing



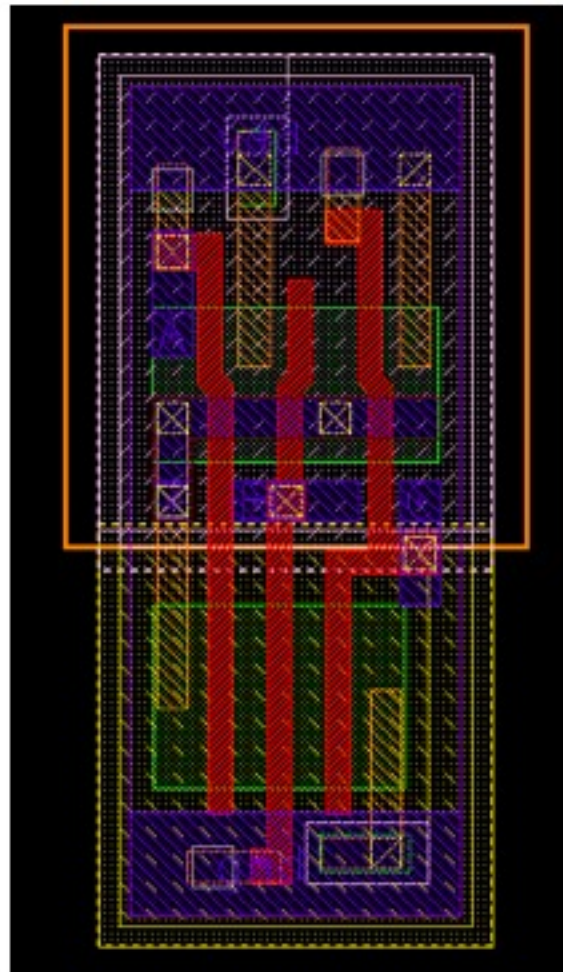
Semi-Custom Design Flow



Standard Cells



Standard Cell



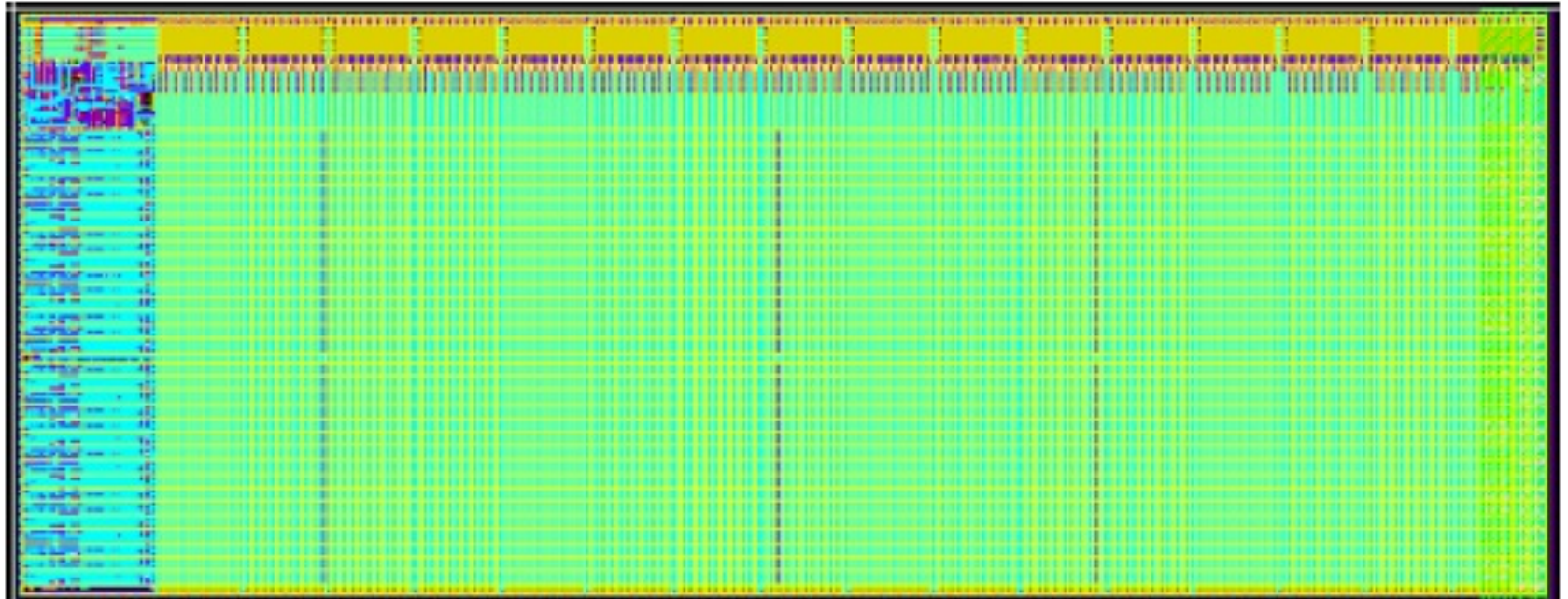
Path	1.2V - 125°C	1.6V - 40°C
$In1-t_{pLH}$	$0.073+7.98C+0.317T$	$0.020+2.73C+0.253T$
$In1-t_{pHL}$	$0.069+8.43C+0.364T$	$0.018+2.14C+0.292T$
$In2-t_{pLH}$	$0.101+7.97C+0.318T$	$0.026+2.38C+0.255T$
$In2-t_{pHL}$	$0.097+8.42C+0.325T$	$0.023+2.14C+0.269T$
$In3-t_{pLH}$	$0.120+8.00C+0.318T$	$0.031+2.37C+0.258T$
$In3-t_{pHL}$	$0.110+8.41C+0.280T$	$0.027+2.15C+0.223T$

3-input NAND cell
(from ST Microelectronics):

C = Load capacitance

T = input rise/fall time

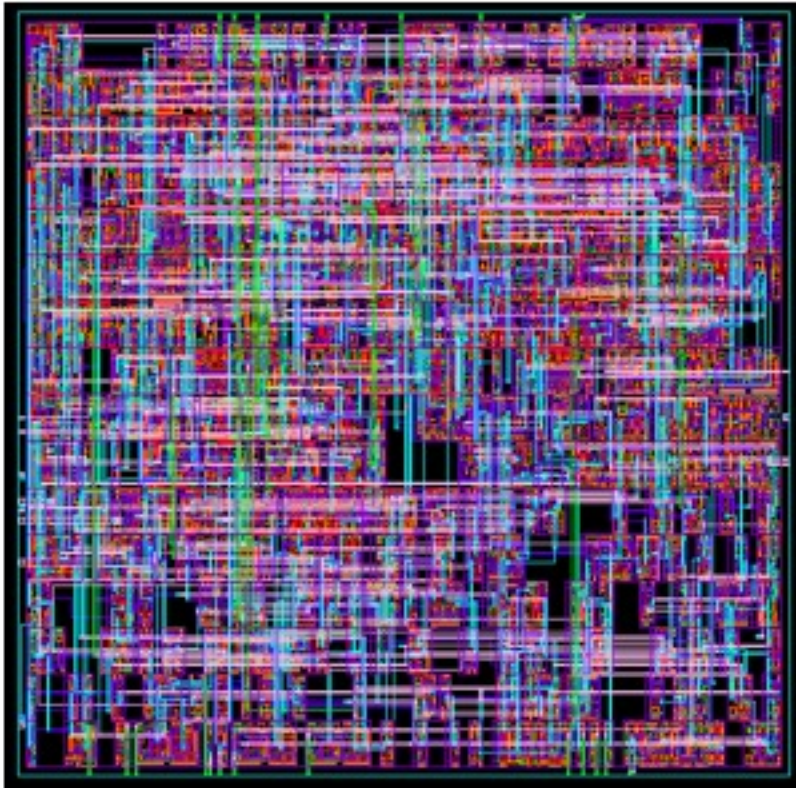
MacroModules



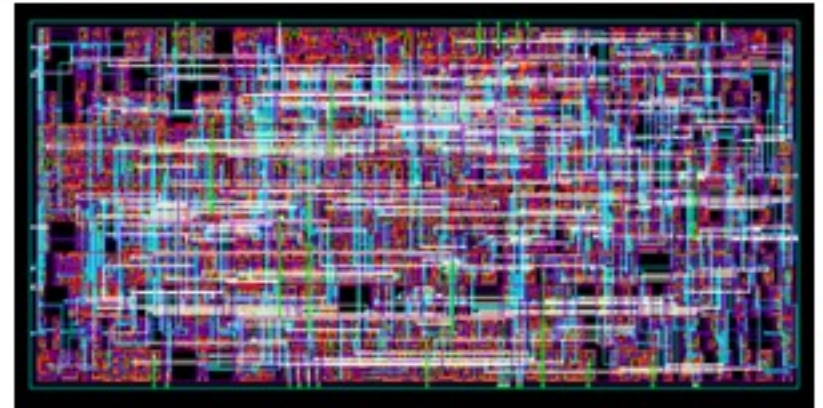
256×32 (or 8192 bit) SRAM

Generated by hard-macro module generator

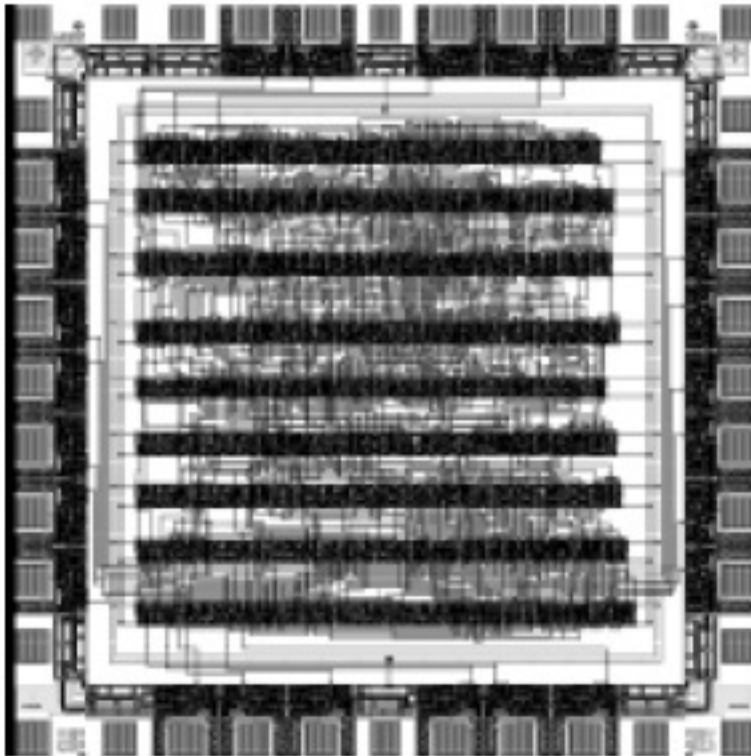
Soft MacroModules



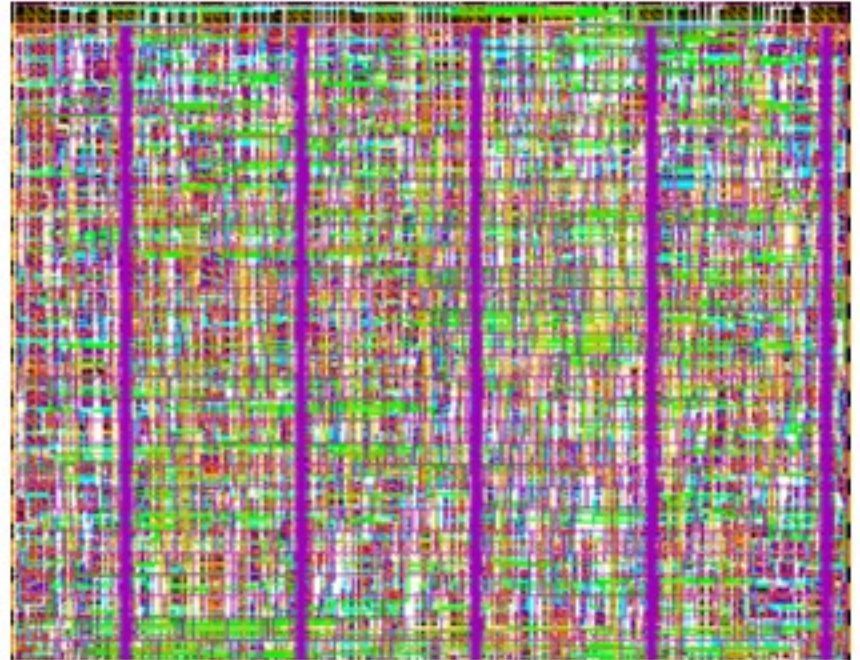
```
string mat = "booth";  
directive (multtype = mat);  
output signed [16] Z = A * B;
```



Standard Cells Wire Routing



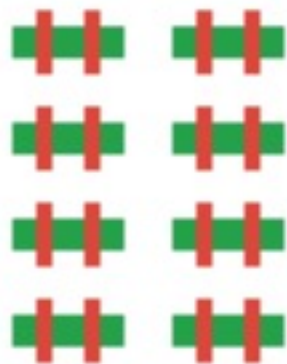
Few metal layers



Many metal layers

Sea-of-Gates

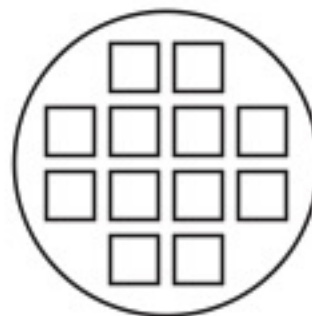
Standard mask



Preparation



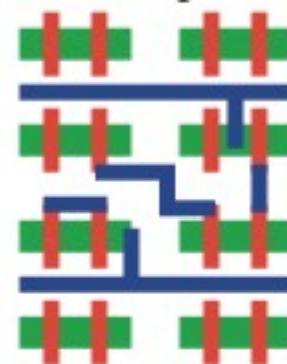
Wafer



Production



Chip



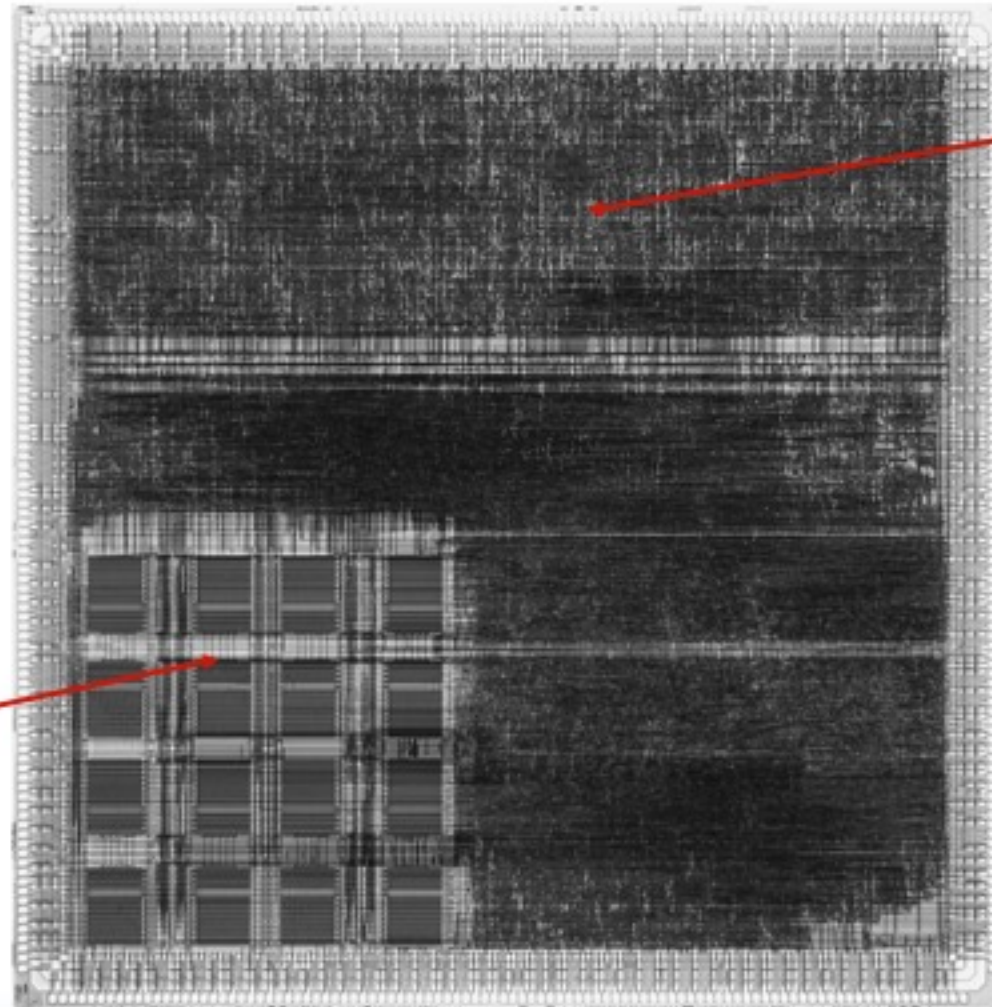
Custom mask



Customization



Sea-of-Gates Chip

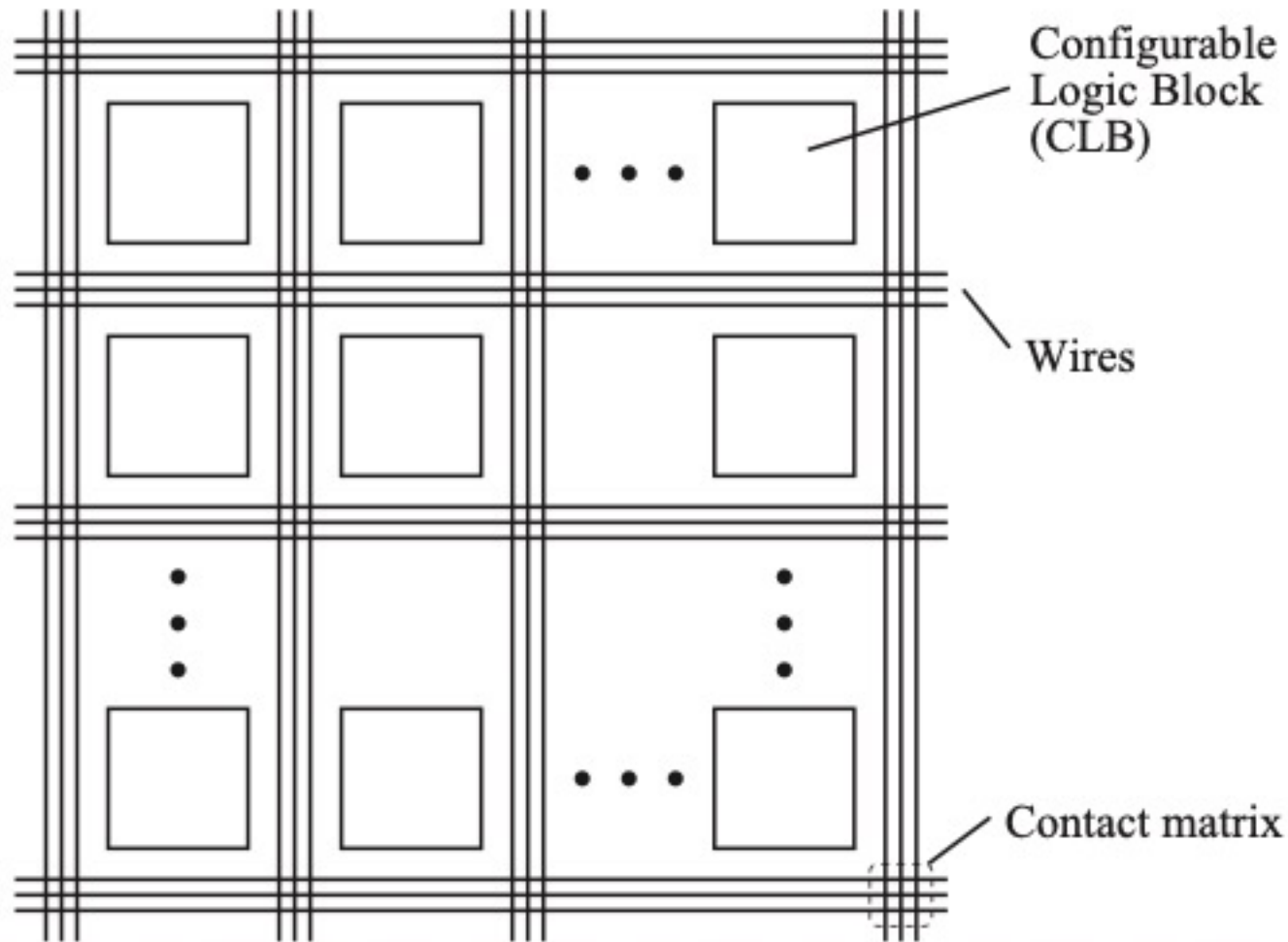


Random Logic

Memory
Subsystem

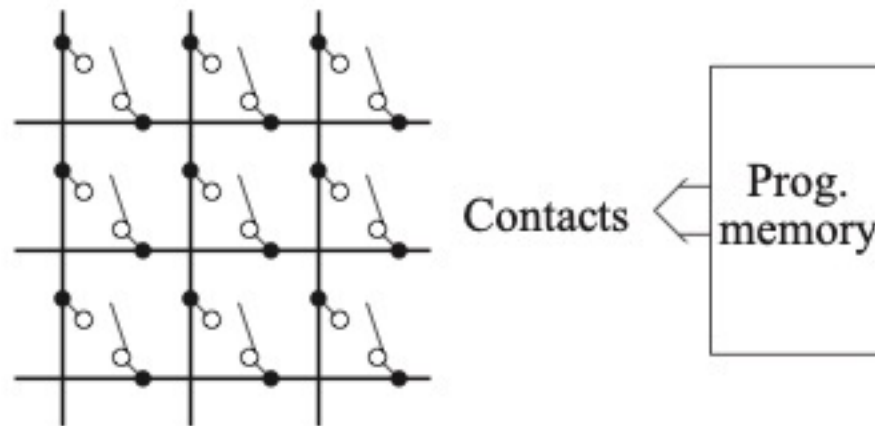
LSI Logic LEA300K
(0.6 μm CMOS)

FPGA Architecture

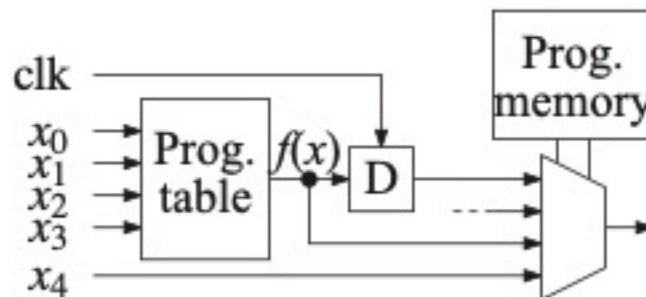


FPGA Programming

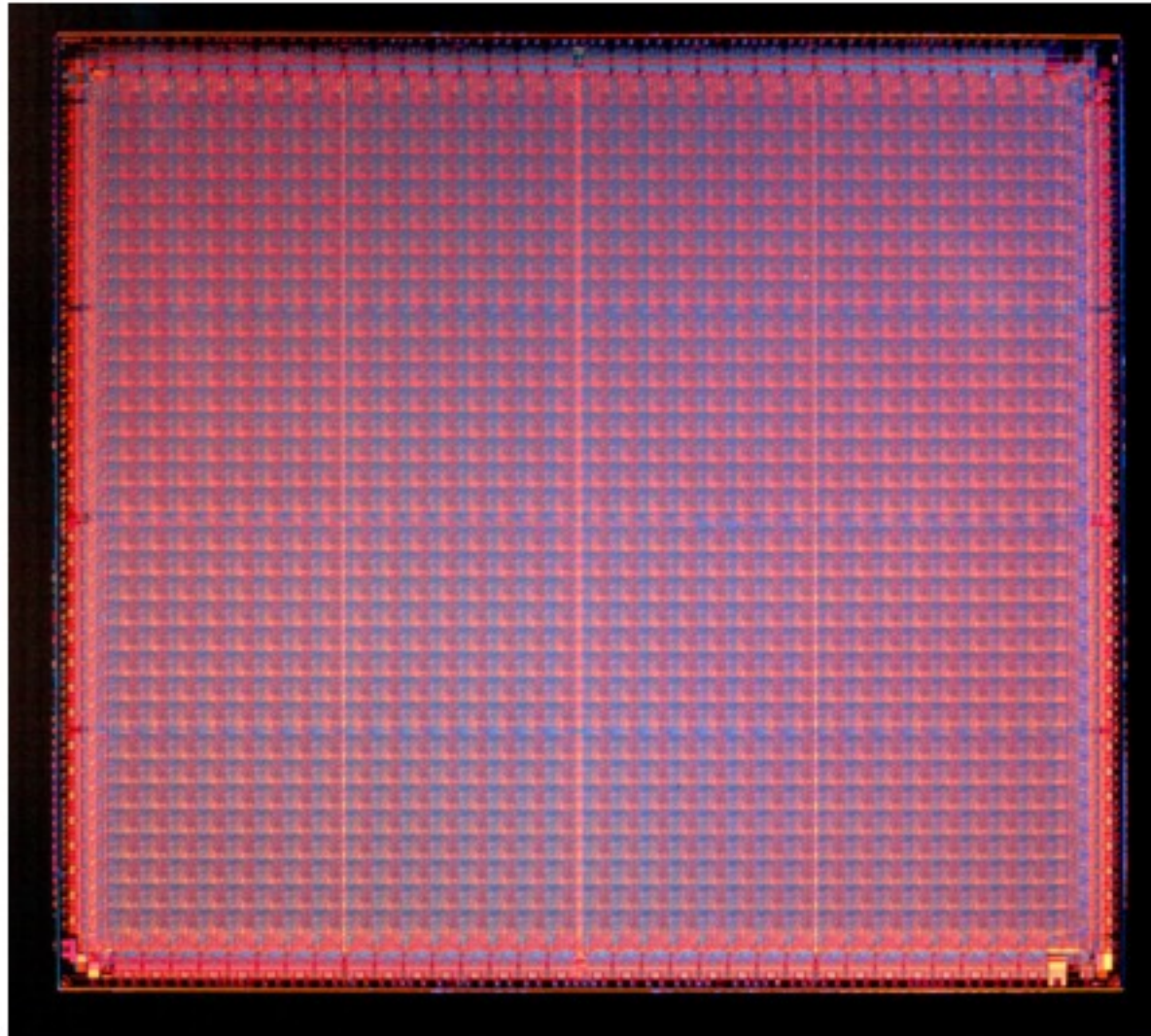
Interconnect



Functions
(CLB)



FPGA Chip



Faults

Physical defects

- Defects in substrate
- Litographic defects
- Mask contamination and scratches
- Process variations
- Oxide defects

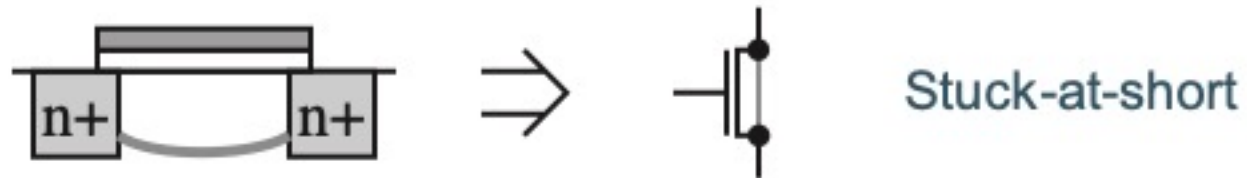
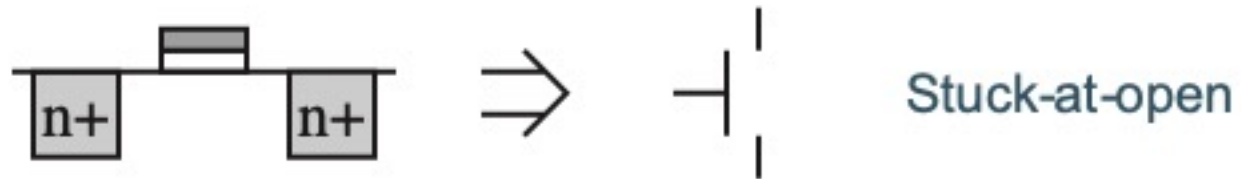
Electrical faults

- Shorts/opens
- Resistive shorts/opens
- Transistor stuck-on/off
- Error in threshold voltage
- Excessive current draw

Logical faults

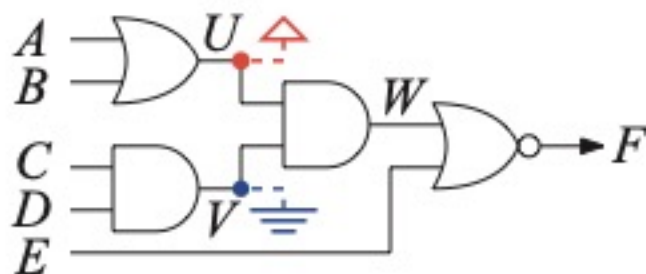
- Logical stuck-at-0, stuck-at-1
- Delay fault
- AND/OR-bridging

MOSFET Defects



Simple Stuck-At Model

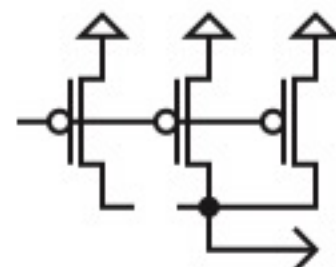
- Example: simple logic network



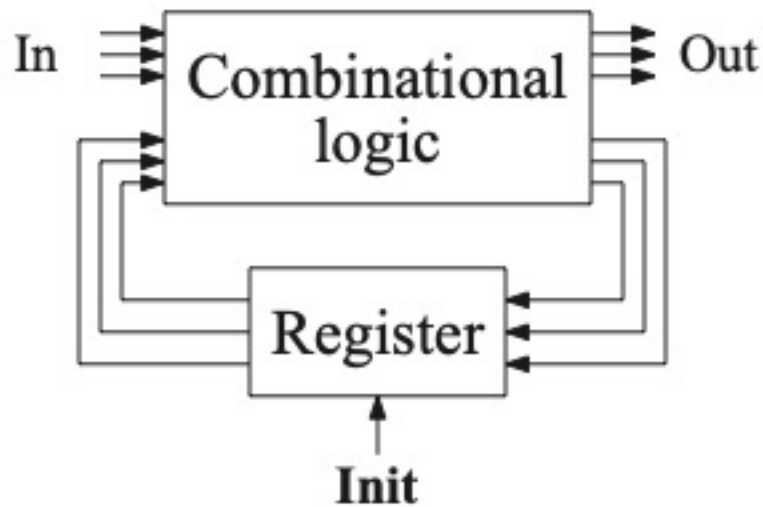
- *Stuck-at-one* fault: short-circuit from U to **VDD**
 - Test with pattern $A = B = 0, C = D = 1, E = 0$
- *Stuck-at-zero* fault: short-circuit from V to **GND**
 - Test with pattern $A = 1$ or $B = 1, C = D = 1, E = 0$

Delay Fault

- Delay faults require full-speed tests
- Example on causes
 - Poor estimation of delay and timing
 - Abnormal process variations (e.g. V_T)
 - Opens in parallel connected transistors
 - Aging effects (e.g. hot-carrier, electromigration)

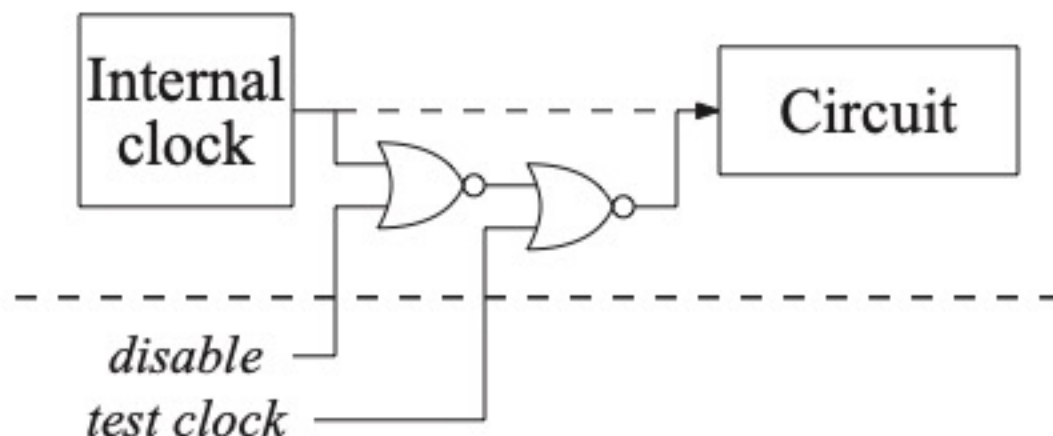


Setting Test State



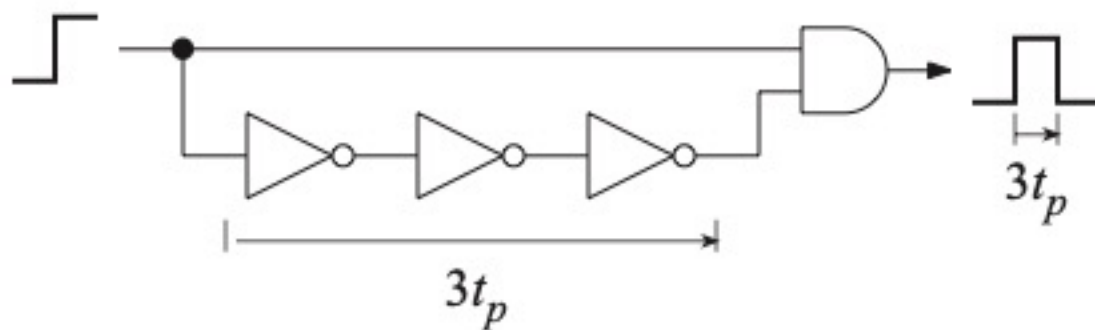
Design the register such that it can be initiated to a known state

Test Clock



Design the clocking so it can be tested with special clocks

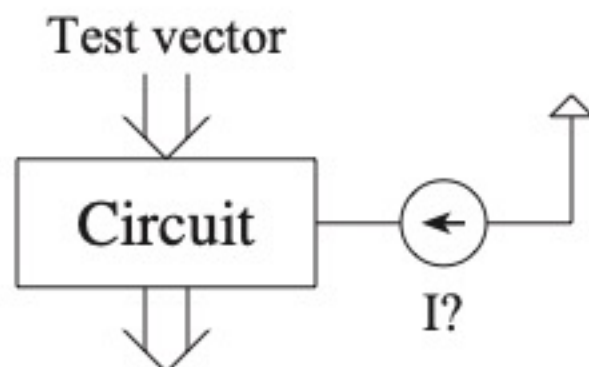
Asynchronous Logic



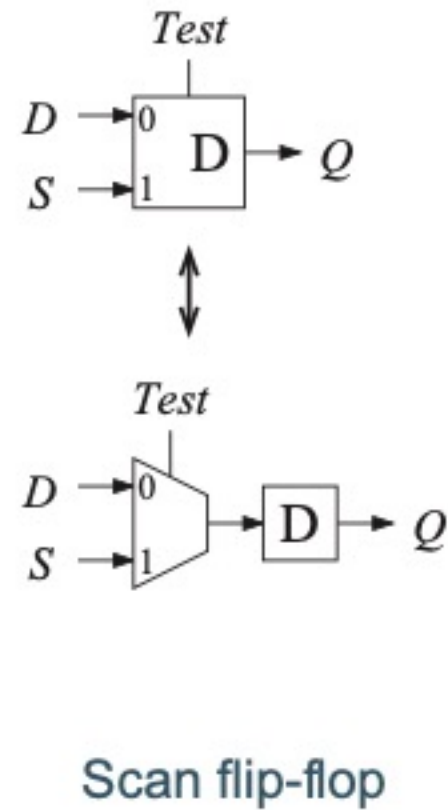
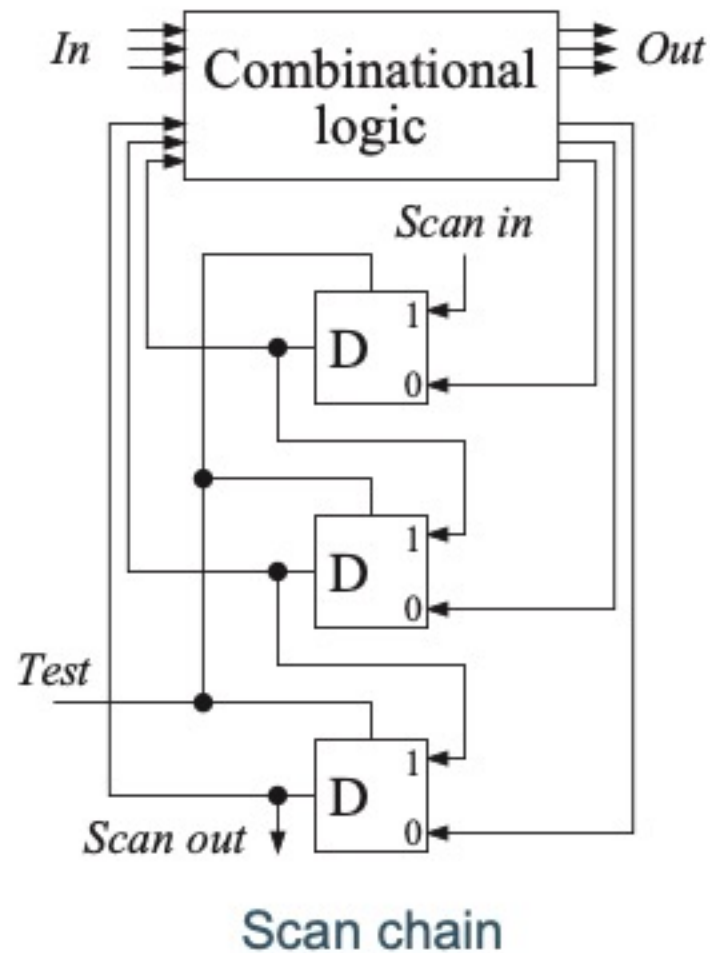
More difficult to test than synchronous solutions

IDDQ Test

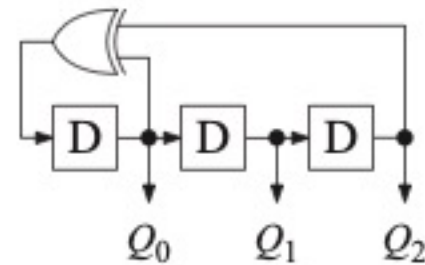
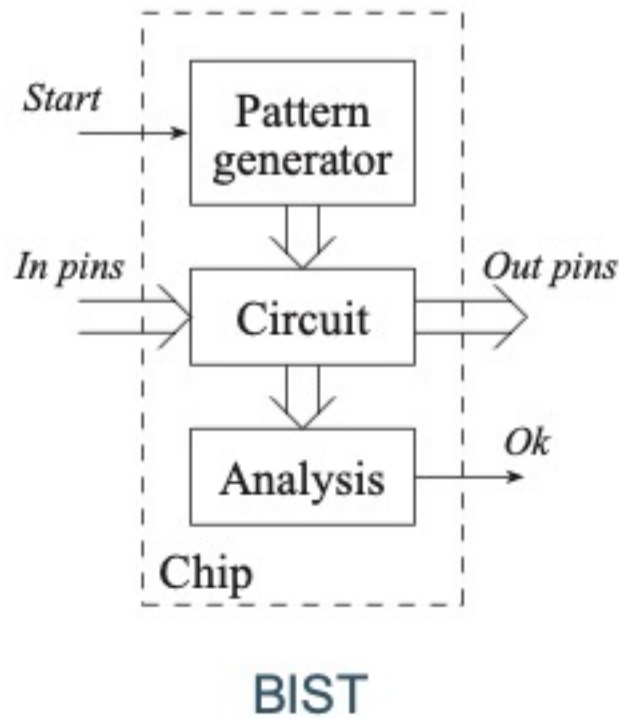
- Discovers fabrication faults and some defects that are difficult to detect
 - Gate oxide short
 - Channel punch-through
 - Diode leakage
 - Transmission gate defects



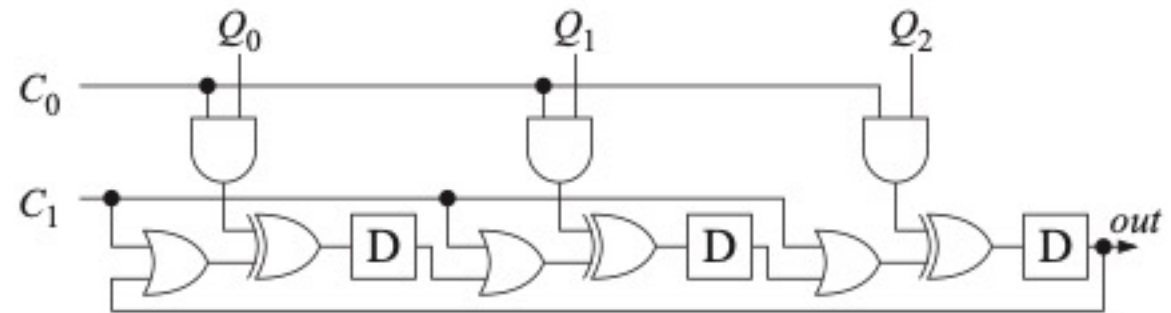
Scan Techniques



Built-In Self Test (BIST)



PRBS



Observer circuit